

MIRAGE RC-2

The Mirage RC-2 is a remote control head for the Mirage B1018G, B2518G and B5018G 2-Meter Amplifiers. The RC-2 allows the Mirage B1018G, B2518G or B5018G to be mounted away from the operating location and still have access to the amplifier's front panel controls. The RC-2 controls operate the amplifier's POWER, PREAMP and MODE Switch. The RC-2 has LEDs to indicate the POWER, PREAMP and XMIT status.

FUNCTIONS

POWER SWITCH

Switches the amplifier's power on or off when the Power Switch of the amplifier is in the off position.

PREAMP SWITCH

Switches the amplifier's Preamp on or off when the amplifier's Preamp Switch is in the off position.

MODE SWITCH

Used to switch the amplifier into SSB/CW or FM mode when the amplifier's Mode switch is in the FM position.

RELAY

This female Phono jack can be used to manually switch the amplifier into transmit mode. If the Preamp switch is on, the preamplifier will be switch off when the Relay Jack is pulled to ground and the amplifier will go into transmit mode if the Power Switch is on.

STATUS LIGHTS

PWR

Illuminates when the Power Switch is in the on position.

PREAMP

Illuminates when the Preamp Switch is in the on position.

XMIT

Illuminates when the amplifier goes into transmit mode.

CONNECTIONS

1. Place the RC-2 in a convent location at your operation station.
2. Plug one end of the Remote Port patch cable into the Remote Port jack of the RC-2. Route the other end to the amplifier and connect to Remote Port on the back of the amplifier.
3. Connect the red wire of the power plug to positive (+) terminal of battery or power supply for the amplifier. It is always good practice to install a fuse (at the supply) in series with this line to

prevent the risk of wiring fire just in case the line is accidentally shorted to ground. The fuse should be a 1 ampere rating. Connect the black lead of the power plug to chassis or negative (-) terminal of the power supply. Connect the power cable into the power jack of the RC-2.

Note: When connecting the power cable to the 12 volt supply it must be the same supply as the amplifier. A voltage difference between the amplifier and the RC-2 may cause the RC-2 not to work.

4. The Relay jack is optional. Refer to the Amplifier's Instruction manual to decide if this jack is needed. The RC-2's Relay jack functions the same as the Relay jack on the amplifier. If the installation requires the use of the Relay jack, use the Relay jack on the amplifier or the Relay jack on the RC-2, whichever makes installation easier.

OPERATION

The RC-2 switches serve the same function as the switches on the Amplifier. The Power and Preamp switch on the amplifier must be in the off position and the Mode switch must be in the FM position when using the RC-2.

When the RC-2's Power switch is in the On position the power light on the RC-2 and amplifier will come on.

When the RC-2's Preamp switch is in the On position, only the Preamp indicator on the RC-2 will light. The pre-amp light on the amplifier will not light.

The XMIT light on the RC-2 and the amplifier will light when the amplifier goes into transmit mode.

DIFFICULTIES

NOTHING TURNS ON

Check installation. Make sure the fuse is good inside of the RC-2.

WHEN SWITCHED ON, THE POWER AND XMIT LIGHT COMES ON

Check fuse in the amplifier. Make sure the power supply is the same as the amplifier.

THE POWER LIGHT COMES ON BUT THE TRANSMIT LIGHT DOES NOT AND THE AMPLIFIER DOES NOT AMPLIFY.

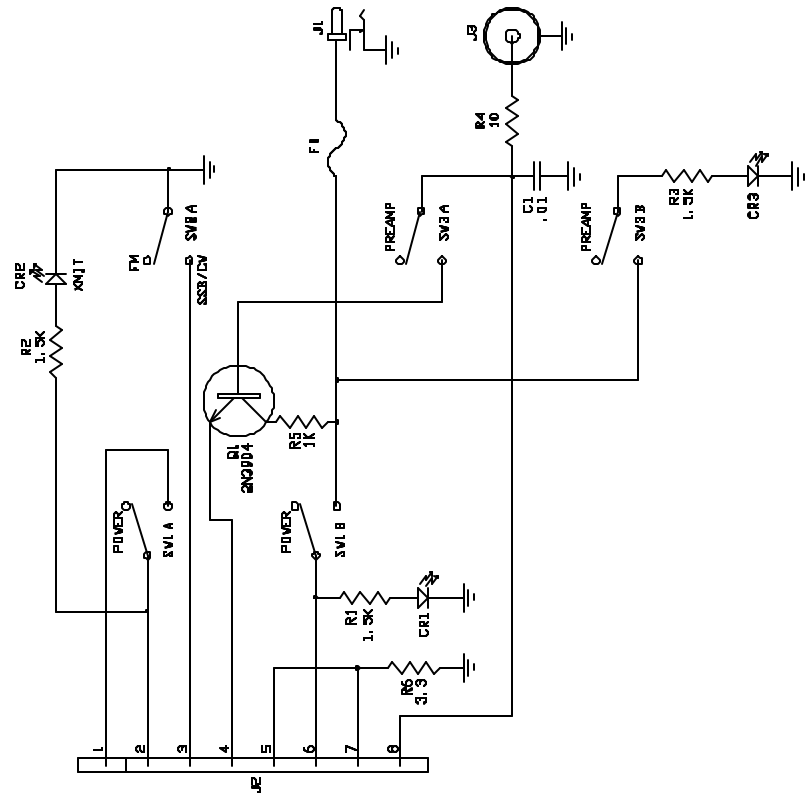
The Load Fault circuit has activated. Switch the power button on the RC-2 off and then back on. If this does not correct the problem, check the amplifier to see why it keeps load faulting.

TECHNICAL ASSISTANCE

Technical assistance is available Monday through Friday by calling 662-323-8287 between the hours of 8:00 a.m. and 4:30 p.m. central time.

Please be sure to have check the obvious problems, and that you have the model number and information about your radio and power connection available.

SCHEMATIC



RESISTANCE VALUES ARE IN OHMS
 CAPACITANCE VALUES ARE IN MICROFARADS
 UNLESS OTHERWISE SPECIFIED

PROJECT NO	REV	DATE	BY	CHKD	APP'D
REC-2	B61-ORCE	D	DMED	1 OF 1	
DESCRIPTION					
REMOTE CONTROL FOR 2-METER AMPLIFIERS					
DATE	PC NUMBER	PROJECT LOCATION			
02-28-02	REC-1	MIRAGE COMMUNICATIONS 800 INDUSTRIAL PARK RD PERRY, STARKVILLE, MS 39759			