

GP-98

Ultra High Gain Triple Bander for 144, 430 & 1200MHz

Features:

- ** Newly developed MPC(multi-pass-converter) realized low-loss, and maxim gain antenna.
- ** Wide-band and No Frequency adjustment is required.
- ** Heavy duty fiberglass guarantees complete water/pollution-proof, preventing QSB.
- ** Newly invented, ABS-joint system provides finest beam-pattern, and easy assembling works.
- ** Please enjoy -triplex- communication, using Comet Triplexer, CFX-431, 4310 etc.

Specifications:

Frequency & Gain:

- 144 - 146MHz/6.0dB
- 430 - 440MHz/8.6dB
- 1200 -1300MHz/12.8dB

- Impedance : 50.ohm
- V. SWR : Less than 1:1.5
- Length : 2.94m
- Weight : 1.6Kgs.
- Max. Power : 300W (SSB)
- Available Mast : 30 - 62mm dia.
- Connector : N - type

(5) Finally, mount the all assembled antenna to your pole. Because GP-98 is long, 2.94m high antenna, please pay attention on the balance, and use strong pole as possible, 30-62mm dia.

Assembling & Mounting:

- (1) Joint the Lower Element and Upper Element, using Hex. wrench.
- (2) Then, insert Upper Ant. Pipe to Lower Ant. Pipe. Slide the lower JOINT-A, and joint it to upper JOINT-B together with Rubber Washer strongly.

Fig.(1)

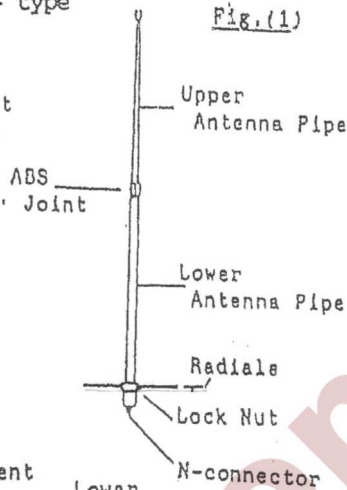
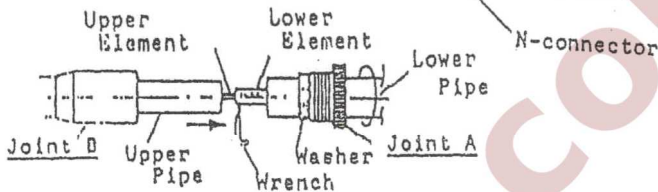


Fig.(2)



- (3) Assembly 3 radials. The radial Lock Nuts must be fastened firmly, using spanner etc.

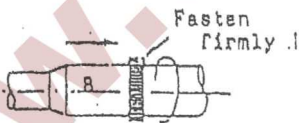


Fig.(3)

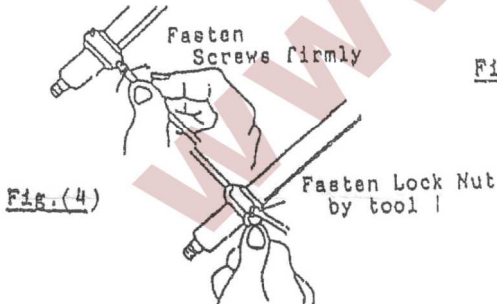


Fig.(4)

- (4) Then, mount 2 Mount Brackets to the Mount Support Pipe. Pass the coax. cable through the Pipe and connect to the Power Feeding Section. Please fasten Hex. Bolts firmly. Then, assemble such Support Pipe to whole antenna and fasten Lock Bolt strongly.

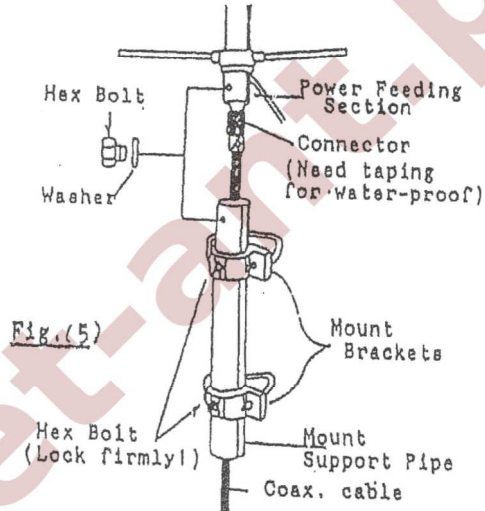


Fig.(5)

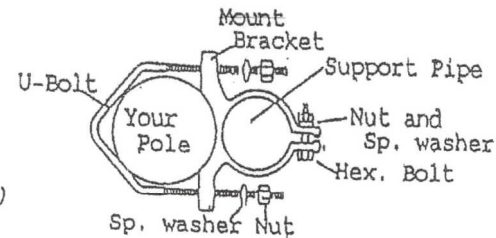
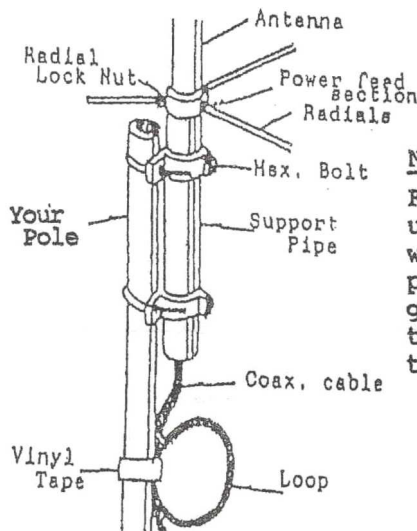


Fig.(6)



Note:

For long period use, please proceed water-proof works properly, with glue, self-melting tape, and/or vinyl tape.

V. SWR Characters:

