

AMERITRON AL-1500

FULL POWER LINEAR AMPLIFIER

INSTRUCTION MANUAL



The Ameritron AL-1500 is a 1500 watt output linear amplifier that operates from 160 through 15 meters. The AL-1500X is the export model that covers 160 through 10 meters. The Ameritron AL-1500J is the export model for Japan and covers 160 through 10 meters. The AL-1500 uses a single 3CX1500A7/8877 tube in a class AB2 grounded grid circuit. CW, FM and RTTY efficiency is improved by shifting the bias deeper into class B. The heavy duty power supply and RF components, combined with a forced air system utilizing a chimney, provide long service life for expensive components. The AL-1500 is shipped factory wired for 240 to 252 volts, 50/60 Hz power mains.

PLEASE READ THIS MANUAL BEFORE OPERATING THIS EQUIPMENT !

AMERITRON

116 Willow Road
Starkville, MS 39759 USA
662-323-8211

UNPACKING INSTRUCTIONS

1. Carefully remove the amplifier, transformer, and tube from their shipping cartons. Inspect each item for visible damage. If any damage occurred during shipment, notify the transportation company immediately.
2. Save all packing materials in case you need to return your AL-1500(X/J) for factory service. The cartons have been designed to give maximum protection for this amplifier. Any units returned without proper packing may be damaged and shipping claims cannot be made. Contact the factory before returning any units.
3. Remove the screws that hold the cover to the amplifier. Slide the cover back and remove it from the amplifier. There is a small bag that contains the fuses, fuse caps and the remainder of the chassis screws wrapped in the packing material around the anode connector.
4. Please read the GENERAL INFORMATION and SPECIFICATIONS sections before attempting to install the transformer and tube. Please note that the tube chimney comes factory installed around the tube socket. Go to the INSTALLATION -section on page 6 to begin installing the transformer and tube.
5. This amplifier must always be disconnected from the power mains before removing the cover. See the precaution on page 16. Please read the entire manual to become familiar with the operation of the AL-1500(X/J) amplifier.

Note: The AL-1500J is the Japanese export version of the AL-1500 amplifier. The AL-1500J utilizes a special power transformer for use with 200V AC, 50Hz. The AL-1500J will perform to specifications with the special transformer installed and will cover 24 and 28 MHz.

FEATURES

1. High performance tube: the AL-1500 uses a single rugged 3CX1500A7/8877 tube.
2. High power gain: the 3CX1500A7/8877 features high power gain. As little as 65 watts of drive power will provide 1500 watts.
3. SSB/CW switch: the bias voltage is switched to provide the best linearity on SSB or the lowest dissipation on CW operation.
4. ALC Indicator: the drive level is detected to provide a control voltage for the exciter. ALC prevents overdriving of the linear and reduces distortion from excessive drive power.
5. Vernier Plate and Load Adjustments: both tuning controls have vernier 6:1 reduction drives for smooth tuning.
6. Two Illuminated Panel Meters: the AL-1500 has two illuminated panel meters. The Grid Current meter provides a continuous reading of grid current and indicates proper operation of the amplifier. The other meter reads Plate Voltage (HV), Plate Current (IP), Peak RF Watts (PO) and ALC.
7. Operate/Standby Switch: filament and plate voltages are maintained while allowing the amplifier to be bypassed for "barefoot" operation.
8. 12 Volt Auxiliary Jack: 12 volts at 100 mA is provided for accessories such as the ATR-30 Antenna tuner.
9. XMT Indicator LED: provides a front panel indication of proper amplifier keying by the exciter during operation.
10. Grid Overload Circuit: this amplifier has a circuit that protects the tube from excessive grid current. If 175 mA of peak grid current is reached the "OPR" LED will no longer light and the amplifier will go into a bypass condition. This overload condition can be reset by momentarily putting the STBY/OPR switch in the STBY position.

Caution: This amplifier must be disconnected from the power mains before removing the cover. See the warning on page 16.

TECHNICAL SPECIFICATIONS AL-1500*

Input

Circuit type: Pi-network, slug tuned coils
Maximum VSWR at resonance: 1.3:1
Minimum 2:1 VSWR bandwidth: 20% of center frequency
Maximum drive power permissible: 100 watts
Typical drive for full power output: 65 watts

Output

Circuit type: Pi-L, Pi
½ hour continuous carrier: 1500 watts
30 second continuous carrier: 2500 watts
½ hour PEP two-tone test: 2500 watts plus
30 second PEP two-tone test: 2500 watts plus

Power Supply

Circuit type: full wave bridge, capacitor input
No load voltage: 3600V
Full load voltage: 3300V
Full load current: 1 amp
Regulation: 10% typical
Transformer: 34 lbs., hypersil
Capacitors: 33 mfd total, computer grade
Maximum draw at rated output: 15 amps at 240V AC, 50/60 Hz

Tube

Type: (1) 3CX1500A7/8877
Continuous dissipation: 1500 watts
Warm-up time: 180 seconds

Metering:

Multimeter: plate current, plate voltage, drive/ALC, power output (PEP watts).
Grid: grid current

ALC: negative going, 0-20V, adjustable, phono jack

Efficiency CW: 65% typical

Efficiency SSB (envelope crest): 62% typical

MARS/WARC: yes, set to nearest amateur band

Keying: requires relay closure or sinking to ground of positive (+) 12 VDC at 100 mA, phono jack

RF Connectors: S0239

Line Connector: NEMA 6-15P 240V style

Dimensions: 18½" D x 17" W x 10" H

Weight: 77 lbs.

Frequency Coverage:

AL-1500: 1.8, 3.5, 7, 14, 18, and 21 MHz. User modified models cover 24 and 28 MHz.

AL-1500X/J Export Models: 1.8, 3.5, 7, 14, 18, 21, 24, and 28 MHz.

Third Order IMD at Rated Output: -36 dB

** specifications are subject to change without notice or obligation.*

GENERAL INFORMATION

Safety Interlock

While the Amplifier's top cover is in place, the interlock switch closes to allow AC line voltage to reach the power transformer. When the top cover is removed, the interlock opens and disconnects the line voltage. This does not discharge the bank of power supply filter capacitors. Be sure to allow the filter capacitors to discharge before you touch anything inside the Amplifier. You can select the High Voltage function of the Multimeter to check the high voltage potential. **Never attempt to defeat the safety interlock. *WARNING: Never remove the cover of this amplifier with the unit plugged into the power line.***

Driving Power

This Amplifier is designed to operate at full ratings when it is driven by an exciter that has approximately 65 watts of RF output. You can use an exciter that has lower output power, but the Amplifier's output will be less. If you use an exciter that delivers more than 100 watts, carefully adjust the driving power to avoid "over drive" and the creation of spurious signals, which create needless interference to other operators. We highly recommend that you use a monitor scope for continuous output monitoring. The display on an oscilloscope is the best way of determining the amplitude of the voice peaks which, if excessive, can cause "flat topping" and splatter. This amplifier has a circuit that protects the tube from excessive grid current. If 175 mA of peak grid current is reached, the "OPR" LED will no longer light and the amplifier will go into a bypass condition. This overload condition can be reset by momentarily putting the STBY/OPR switch in the STBY position.

IMPORTANT: In no case should you advance the power output control of your exciter beyond the point where the Amplifier's Power Output indication ceases to increase. If you turn the control past this point, nonlinear operation may occur.

Filament Supply

The filament circuit of this amplifier satisfies all requirements of the tube manufacturer related to tube performance and life. Inrush current is controlled by the transformer internal resistance and impedance, filament choke resistance and filament wiring resistance. To insure maximum life of the tube never replace any circuit components or wiring with substitute parts. The low voltage tap on the filament transformer primary provides the ability to operate the blower at slower speeds for reduced noise. Normal amateur operation in CW and SSB will not cause heat damage to components on any recommended tap. It is always advisable to use the maximum speed (air flow) that the level of noise permits to extend component life. Wiring information for the blower is shown in the "Transformer Connections" instructions.

Plate Supply

The plate supply has a full wave bridge rectifier and a 1.8 KVA CCS rated tape wound hypersil transformer. Filtering is accomplished by a bank of high quality capacitors totaling 33 mfd (additional capacitance will not improve supply performance). The Plate Supply will not be harmed by normal continuous amateur operation at 1500 watt levels. Power is applied through RLY2 when the 12V DC low voltage supply is activated. A 20 ohm resistor limits the line current during the filter capacitor charge time to lower the stress on components. When the primary voltage approaches the full line value, RLY3 shorts the 20 ohm resistor and applies the full line voltage to the plate transformer. The 20 ohm resistor acts as a fuse during start-up if the high voltage supply has a short.

Timer Overload Board

The AL-1500 has a circuit board mounted on the front panel side of the filter capacitor board that provides time delay to insure the cathode of the 3CX1500A7/8877 has reached proper operating temperature before high voltage and RF drive power can be applied. This board also samples the peak grid current and removes drive if the grid current is excessive.

The timer portion of this circuit board uses IC1A as a comparator to drive the complimentary darlington Q1 and Q2. When twelve (12) volts is first applied to terminal "Y" diode D3 provides a regulated 5.1 volt reference. Divider R8 and R7 reduces the reference voltage to 3.7 volts. C9 charges from current supplied by R9. After approximately three minutes, the comparator output (pin 1) goes high. Q3's collector goes low and turns on Q2 and Q1. If the 12 volt supply is momentarily interrupted diode D1 discharges C9 through R6, R7, and R8. Any interruption of more than a few seconds requires a complete timing cycle to begin again.

The grid overload circuit compares the voltage developed across the grid shunt (.3V equals 200 mA) to .256V reference provided by R5 and R11. This sets the grid trip at 175 mA. Pin 7 of IC1B will go high and turn Q4 on if the grid current reaches 175 mA. This will cause RLY1 to latch on and remove the 12 volts from the antenna transfer relay in the amplifier. The circuit is reset by putting the amplifier on standby momentarily. This removes the voltage that holds RLY1 locked on. **NOTE:** The grid overload circuit will respond must faster than the grid meter can indicate grid current. If the overload continuously trips, the likely cause is excessive peak grid current. This is caused by the loading control being set too low (counter-clockwise) for the peak drive power applied to the amplifier.

Export Modifications

A simple modification will allow operation on frequencies above 15 meters. Instructions for this modification are available by sending a written request for "Export Modification Instructions" along with a copy of a valid amateur license. There is no charge for this information. Export models are shipped with this modification and have an "X" or "J" following the serial number. Standard frequency coverages are indicated in the chart following the tuning instructions on page 16.

Metering Functions

The AL-1500 has two illuminated meters. The Grid Current meter provides a continuous indication of the 3CX1500A7/8877 grid current. This exclusive feature of Ameritron amplifiers indicates proper amplifier operation better than any other parameter. Do not exceed 75 mA on this meter during normal operation of this amplifier. The other meter reads Plate Voltage (HV), Plate Current (IP), Peak RF Watts (PO) and ALC. These functions are selected with the Multimeter Switch.

Plate Voltage (HV): Read DC Plate Voltage on the 4000 volt scale. This scale is 100 volts per division. Normal voltages are 3600 volts no load, 3300 volts full load.

Plate Current (IP): Read DC Plate Current on the 1000 mA scale. This scale is 25 mA per division.

Peak RF Watts (PO): Read Peak RF Watts on the 2000 watt scale. This scale has 50 watt divisions below 1000 watts and 100 watt divisions above 1000 watts.

NOTE: This circuit uses an emitter follower to charge a capacitor to the peak envelope voltage detected by the ALC/Power Board. Accurate peak envelope power readings are given when the amplifier is connected to a 50 ohm nonreactive load. If the amplifier is used with a mismatched load, the power meter will read higher or lower than normal by a ratio up to the value of the SWR. Potentiometer R5 on the Meter Board (50-01140-1) adjusts the calibration of the power meter.

ALC: Indicates a relative drive level (average, not PEP) that can be estimated by dividing the Peak RF Watts scale by 10.

Technical Assistance

Technical assistance is available during our normal business hours on weekdays. The following information is required to assist you with operational problems:

1. Model and Serial Number
2. Date of purchase and dealer
3. An accurate description of the problem

Meter readings at all stages of the tuning procedure are very important along with a complete description of the other equipment used with our product.

Written assistance is also available. Due to time delays in processing mail, please allow at least three weeks for a written reply.

AMERITRON
116 Willow Road
Starkville, MS 39759
Tel: (662) 323-8211
Fax: (662) 323-6551
ameritron@ameritron.com

PERIODIC MAINTENANCE

The high voltage present on the plate choke and air variable capacitors attracts dust and dirt out of the air stream. It is particularly important that the high voltage areas at the bottom of the plate choke and the insulators on the air variable capacitors be dust free. These areas should be inspected every few months if the amplifier is operated in a dusty environment. Unplug the line cord, and wait about 90 seconds until the power supply capacitors discharge. Check the HV scale for zero voltage before removing the cover. Remove the cover and connect a jumper wire from ground to the anode connection of the tubes.

NOTE: This is a safety wire that must be installed when beginning service work. After service is complete, reverse the procedure to remove the safety wire. Remove the wire from the anode connection first and then form ground.

Use a soft bristle brush dipped in alcohol to clean areas mentioned previously. In the event that cleaning is required at frequent intervals, place a low restriction air filter material over the air inlet holes on the left front side of the cabinet near the filter capacitors. Most hardware stores stock suitable materials that are used as replacement filters for window air conditioners.

INSTALLATION

Transformer Installation

Remove the cover of the amplifier.. Remove the top 7/16" nuts from the four transformer mounting bolts inside of the amplifier. Carefully remove the transformer from its shipping carton.

Place the transformer on the four ¼-20 mounting bolts. Use care because the transformer is heavy. The side with the two high voltage secondary **WHITE** (**RED** older models) leads must be adjacent to the center panel(see Fig. 1). Now place a 7/16" nut on each bolt (see Fig. 2). Snug the nuts down manually. Do not tighten with a ratchet wrench.

Remove the brass ¼" hex nuts and the top flat washer from the two brass 6-32 screws on the rectifier board (see Fig. 1). Install the **WHITE** (**RED** older models) lead ring terminals on the screws and replace the flat washers and ¼" hex nuts. Position the wires so that the black insulated areas are at least ¼" from each other and any metal objects. Now tighten the ¼" hex nuts.

For 240V Operation (factory wired):

The four primary leads have colored plastic insulating boots over the quick disconnect terminals. Slide these back prior to installing the leads. Install the color coded boots as follows:(see Fig. 1) **Note:** Japanese export model (AL-1500J) should follow the 240V operation steps to properly connect their transformers. The AL-1500J is supplied with a special transformer for 200V operation.

BLUE (Brown wire) to the top relay terminal

YELLOW (Black/White) to the top terminal of terminal block

CLEAR (Black wire) to the second terminal of terminal block.

RED (Brn/Wht) to the bottom terminal of terminal block.

Now slide the colored insulating boots back over the terminals. **Note:** The green wire is not used for 240V operation. There is no green wire on the AL-1500J export model transformer.

Important: The leads must be in the positions indicated by the color coded insulating boots (see Fig. 1) for 240V operation. Or for 200V operation in Japan. **Caution: Do not use the 220V wiring unless the line voltage is always below 220 VAC. The Standard USA voltage is 240 VAC, not 220.**

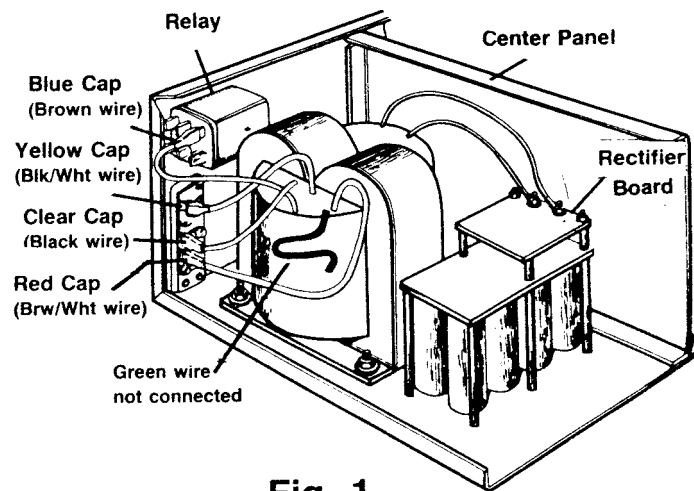
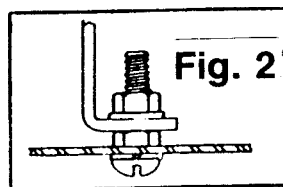


Fig. 1



For 220V connections (see Fig. 3), follow these steps:

1. Slide the **RED** boot back ON the **BRN/WHT** wire
2. Clip the terminal connector off the wire and slide the **RED** boot off
3. Remove the restraint from the **GRN** wire and slide the **RED** boot on to the wire.
4. Solder the terminal connector to the **GRN** wire.
5. Tape up the **BRN/WHT** wire because it will not be used.

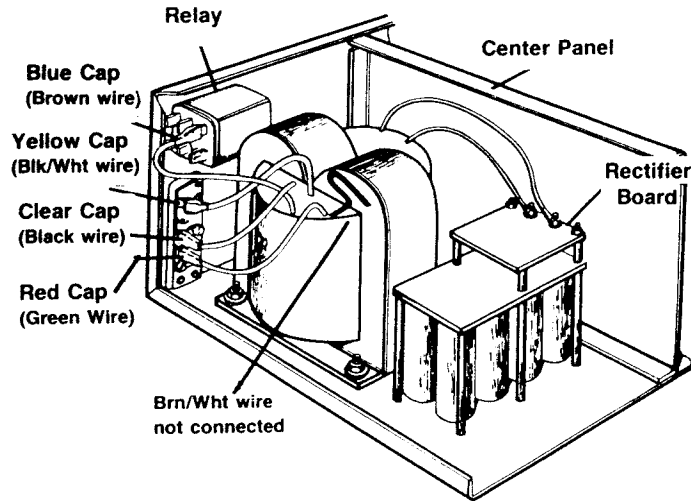


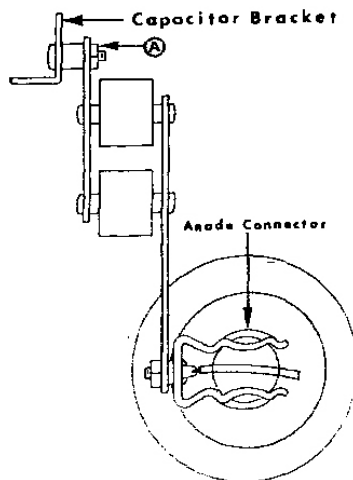
Fig. 3

TUBE INSTALLATION

Note that one of the tube pins is larger in diameter. This larger pin "keys" the tube base and socket. Install the tube by aligning the tube pins with the socket contact terminals, then seat the tube with vertical pressure ONLY. Do not "rock" or "twist" the tube. Also the chimney is already mounted inside the AL-1500 amplifier.

After the tube is installed, attach the anode connector as follows: (Refer to Fig 4.)

1. Remove screw "A" that holds the anode connector to the 500pf blocking capacitors.
2. Attach the anode connector to the tube Anode.
3. Insert screw "A" into the 500pf capacitors and snug it down.



Top View of 1500 Tube

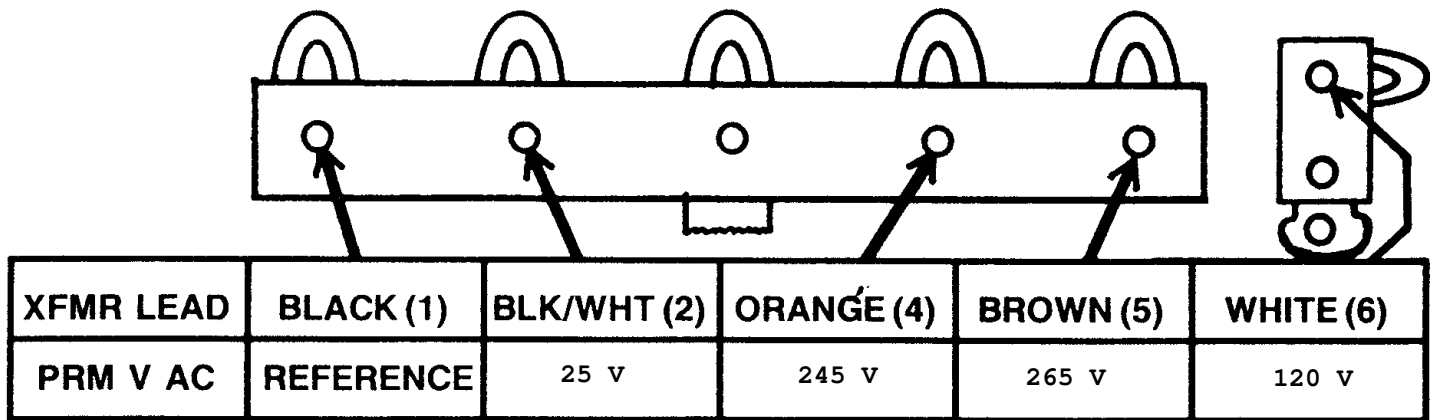
Fig. 4

CAUTION:

1. These voltage taps may not be for your amplifier. Terminal 6 should have a purple and a white wire, if NOT this IS NOT for your amplifier. Contact Ameritron for correct wire chart.
2. The following information is only valid for transformers that contain these exact color codes for the primary winding. Early production units did not contain a multiple tap transformer. If the terminal strip has all these color coded wires, then the unit has the multiple tap transformer.

Filament/Blower Wiring Instructions

The AL-1500 and 1500(X) amplifiers come prewired for 240V line voltage and with the blower prewired for medium fan speed. **Note:** The AL-1500J Japanese export model is prewired for 208V line voltage. The following information gives filament transformer connection details for various line voltages and blower speeds. The five lug terminal strip and the single lug terminal strip are located immediately behind the **ON/OFF** rocker switch inside the unit. The following drawing shows the connection of transformer leads and their purpose.



This chart shows the color code of the transformer leads and their purpose. The number in parenthesis indicates the number of the terminal lug that the transformer lead is connected to. The number three (3) lug is not used to change the filament or blower wiring. Do not add or remove any wires from the number three (3) lug. Refer to the drawing above. Use the lug numbers above when referring to both of the Filament connection chart and the Blower connection chart.

Filament Transformer Line Voltage

There are two wires that connect to the terminal lugs which determine the Filament Line Voltage. The BLACK wire from the power switch and WHITE wire from rear of the unit connect to different terminal lugs depending on the voltage desired. The AL-1500 and AL-1500(X) come prewired for 240-252 V operation*. AL-1500J comes prewired for 200V operation. Refer to the following chart. The voltage listed in the following chart is the maximum and minimum line voltage that should be applied to a given tap. Operation with line voltage not within the tap voltage selected can result in a reduction of tube life.

LINE VOLTAGE

LUGS	252-265 V	240-252 V*	220-239 V	205-219 V
1	BLACK	BLACK		
2			BLACK	BLACK
3	DO NOT CHANGE			
4		WHITE		WHITE
5	WHITE		WHITE	
6	DO NOT CHANGE			

*Indicates factory shipped

Blower Connections

The PURPLE and BROWN wires from the rear of the unit connect to the terminal lugs to control the air speed of the fan. The AL-1500/X/J is prewired for the medium speed setting*. Refer to the following chart. The blower connections can be moved to lower speed taps if air noise is excessive. Ameritron recommends using the highest speed tap that noise considerations permit. The lowest speed tap will develop sufficient air flow for standard amateur SSB and CW full power operation. The highest speed taps should be used for contest or RTTY operation. Move only the BROWN wire for changing speeds!

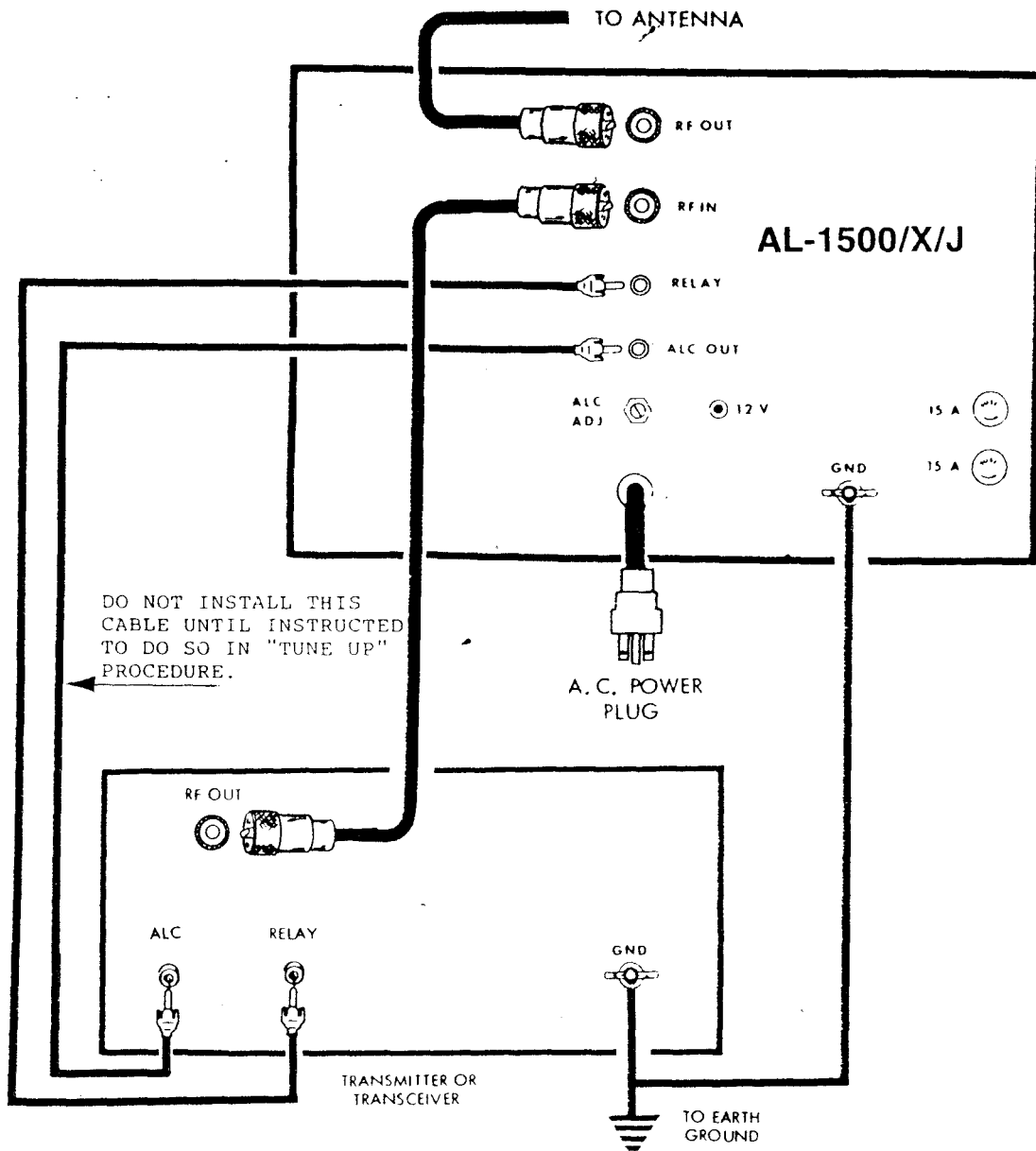
BLOWER SPEED

LUGS	LOW	MEDUIM*	HIGH
1			
2	BROWN		
3	DO NOT CHANGE		
4		BROWN	
5			BROWN
6	PURPLE	PURPLE	PURPLE

*Indicates factory shipped

Interconnections

1. Connect the RF output of the exciter to the RF IN connector on the rear of the AL-1500 with 50 ohm coax. Use any good quality 50 ohm cable long enough to connect the amplifier to the exciter. The amplifier uses a standard SO-239 female that will mate to a PL-259 male connector on the cable.
2. Connect the existing station antenna system to the RF OUT connector on the rear of the AL-1500 with RG-8 type coax. This connection uses PL-259 connectors.
3. Use shielded audio type cable with standard male phono plugs to connect to the RELAY jack on the AL-1500. This jack has positive 12V DC open circuit and supplies 100mA of current when pulled to ground.
4. Connect a short ground lead from a good earth and RF ground to the GND terminal.



5. The 12V connection on the rear panel provides 12V DC at 100 mA maximum to operate external dial lamps or accessories such as the ATR-30 Antenna Tuner.
6. DO NOT CONNECT THE "ALC OUT" SOCKET ON THE AMPLIFIER TO THE "ALC" SOCKET ON THE TRANSMITTER UNTIL INSTRUCTED TO DO SO IN THE TUNE UP PROCEDURE. This jack provides up to 20 Volts of negative voltage for transmitter gain control.

Location

Do not operate the Amplifier in excessively warm locations or near heating vents or radiators. Be sure air can circulate freely around and through the Amplifier cabinet. Provide an unobstructed air inlet for the blower. Do NOT place anything that will impede the free flow of air within 2 inches of the cabinet ventilation holes.

Ventilation

The AL-1500 ventilation system has been designed and tested to maintain tube seal temperature safely below the tube manufacturer's rating at 1500 watts output with a 100% duty cycle when properly tuned. The blower in the AL-1500 is a permanently lubricated type that requires no maintenance in normal operation. To insure proper ventilation in your installation, observe the following:

1. Do not block or unduly restrict the ventilation holes in the cover. Be sure that the amplifier is located in an area so the vent holes have open air circulation.
2. The exhaust air flow is over 30 CFM. Do not "assist" the air flow unless the fan exceeds the AL-1500 blower CFM by a factor of 2:1.
3. Do not mount additional fans on the AL-1500 cabinet.
4. The exhaust air will become quite warm at higher power levels. Do not place any heat sensitive objects in the exhaust air stream.

Power Connections

The AL-1500 is supplied with a NEMA 6-15P plug for 240V AC operation. Operation with power main voltages below 200 volt is not recommended. Special transformers are required for 200V, 50/60 Hz operation. Refer to the "Transformer Installation" section on beginning or page 6 for the correct wiring for 220 to 240 volt operation.

NEVER REWIRE THE POWER SUPPLY TO BOOST THE HIGH VOLTAGE ABOVE 3700 VOLTS!

The wiring between the fuse box and the amplifier AC outlet must be No. 12 gauge or larger in order to supply the current required (13 amperes) without a significant drop in the line voltage. The outlet should be fused for 20 amperes.

Grounding

Connect a good RF and earth or water pipe ground to the ground post on the rear panel of the Amplifier. Use the heaviest and shortest connection possible.

Before you use a water pipe ground, inspect the connections around the water meter and make sure that no plastic or rubber hose connections are used. These connections interrupt electrical continuity to the water supply line. Install a jumper around any insulating water connections you may find. Use heavy copper wire and pipe clamps. It is best to ground all equipment to one point at the operating position and then ground this point as described above.

TUNING INSTRUCTIONS

Proper tuning of a grounded grid linear amplifier is best accomplished with an understanding of what each control does and what the meters are telling the operator about the condition of TUNE

The tuning controls function as follows:

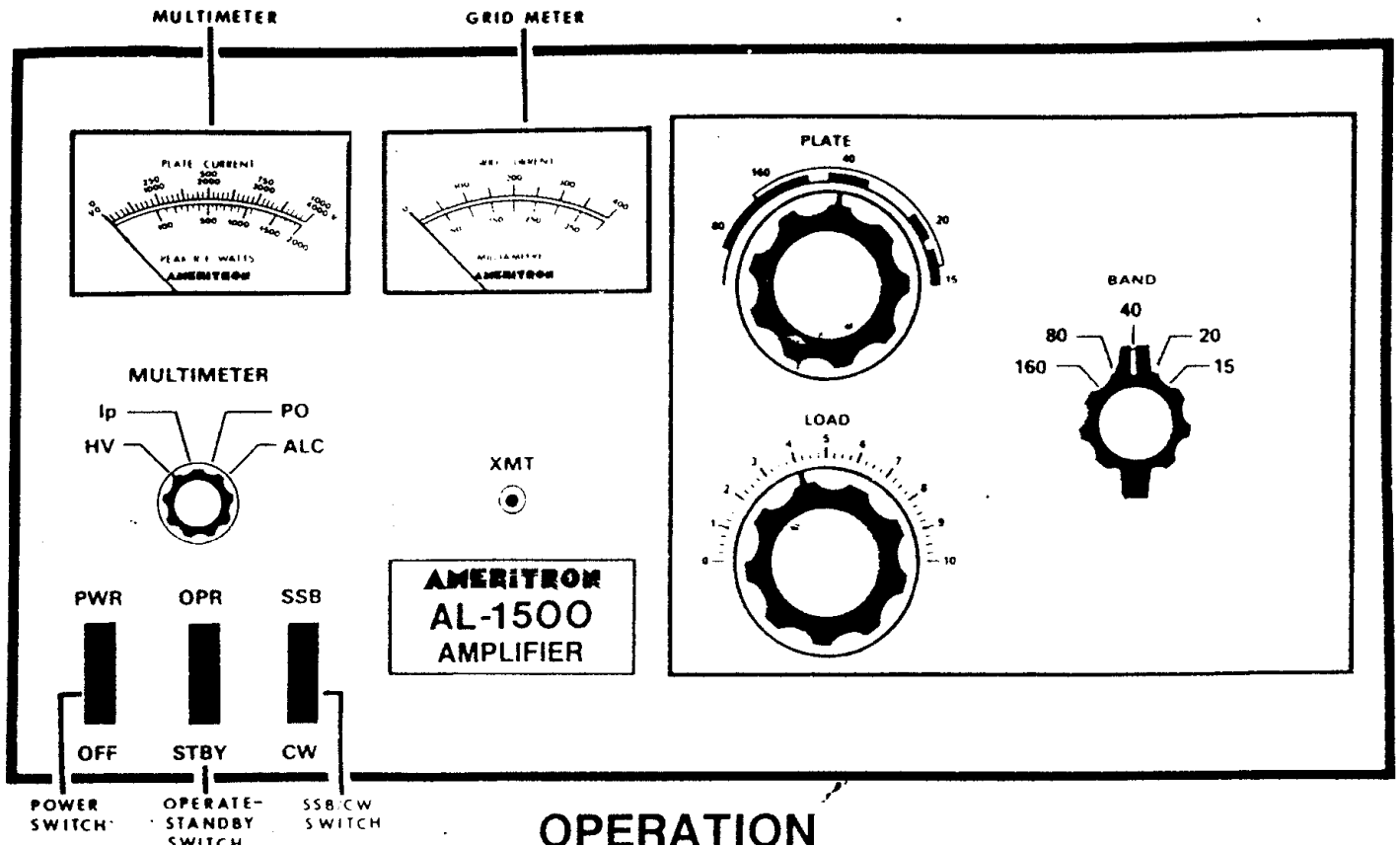
PLATE: This control tunes the amplifier output circuit to the operating frequency. It should always be adjusted for maximum output power or maximum grid current. Due to interaction with the "LOAD" control, a "touch-up" should be performed after any load adjustments.

LOAD: This control adjusts the coupling of amplifier to the antenna or load. It should be adjusted to keep the grid current in the proper operating range. As the loading capacitance is reduced (by rotating the control to a higher front panel number), the coupling is increased. An increase in coupling will reduce grid current and increase the amount of drive the amplifier will accept without component damage.

A common mistake in tuning is to adjust the "LOAD" control at low drive powers and apply more drive during operation. Excessive grid current, distortion on SSB or arcing in the tank components occurs when full drive power is applied to the amplifier without the "LOAD" set for enough clockwise (higher loading).

It is important to remember the loading must be set properly for the PEAK power the amplifier is expected to develop. 50 watts PEP will be the maximum drive the amplifier will safely handle if the output of the amplifier is tuned with 50 watts of carrier drive. Any attempt to go beyond the amount of drive power the amplifier was originally tuned at will result in a rapid increase in grid current, splatter and even damage to components.

The "LOAD" control should be adjusted for maximum output power without exceeding the recommended grid current. **DO NOT USE THE LOAD CONTROL TO REDUCE POWER IN A GROUNDED GRID AMPLIFIER.** The drive from the exciter should be reduced if the amplifier plate current or output power is excessive. The "LOAD" setting should be increased if grid current is excessive. Any errors in adjusting this control should be made in favor of a higher load setting (clockwise).



OPERATION

CW Procedure

Follow these instructions in numerical order. If the various meter readings are different than indicated, check the connections from the exciter to the amplifier and make sure they are correct. Consult the manual for the exciter.

Be sure the transformer is correctly installed and wired for your line voltage. See the "Transformer Installation" section beginning on page 6 for wiring details.

1. Set the AL-1500 front panel switches as follows:
 POWER TO OFF
 OPR-STBY TO STBY
 SSB-CW TO CW
 MULTIMETER TO HV
2. Plug the AC line cord into the proper voltage outlet.
3. Set the Power Switch to the ON position. The lamps on the grid meter should light and the blower should start. Read the 4000 volt scale on the Multimeter. It should indicate volts. After approximately 90 seconds the multimeter lamps will light and the volt scale should indicate 3600 volts nominal and no more than 3700 volts.

4. With the amplifier still on STANDBY, tune the exciter into a normal 50 ohm load according to the manufacturer's instructions. Turn the exciter drive fully down after tuning.
5. Place the amplifier mode switch in the CW position, the bandswitch on the same band as the exciter, the PLATE control in the dial range for the band selected and the load control as indicated:

CW		PHONE (SSB)	
Frequency	Load	Frequency	Load
1.810	2	1.850	3
3.600	3½	3.900	6
7.050	3	7.200	4
14.050	5	14.250	5
21.050	6	21.350	6
28.050	7	28.500	7

6. With exciter drive still at zero, place the MULTIMETER switch in the Ip position. Observe the 1000 mA scale. The meter should read zero (0). Place the STBYOPR switch in the OPR position.
7. Key the exciter (no drive) and observe the plate current on the 1000 mA scale. It should be 20-75 mA. Place the CW-SSB switch in the SSB position. Plate current should now read 75-250 mA. Return the CW-SSB switch to the CW position.

NOTE: The no drive currents will vary up to 25% due to component and line voltage tolerances.

8. Apply only enough drive to indicate a grid current of 50 mA or an Ip of no more than 500mA. Tune the PLATE control for maximum output power or grid current. It is normal for the plate current to dip at this point. If the grid current goes over 100 mA, reduce the drive at once. Unkey the exciter. **Note:** This amplifier has a circuit that protects the tube from excessive grid current. If 175 mA of peak grid current is reached, the "OPR" LED will no longer light and the amplifier will go into a bypass condition. This overload condition can be reset by momentarily putting the STBY/OPR switch in the STBY position. Repeated tripping of the grid overload circuit usually indicates that the loading control is set too far counterclockwise for the amount of drive being applied to the amplifier or that something in the antenna system is changing impedance (arching) during peaks.
9. Place the MULTIMETER switch in the PO position and observe the 2000 Peak RF Watts scale. Increase the drive until 100 mA of grid current is indicated. Adjust the LOAD and PLATE controls for maximum output. The grid current may be lower now.
10. Advance the drive to 100 mA of grid current. Adjust the LOAD and PLATE controls for maximum output power. The output should be over 1000 watts now.
11. Apply full drive without exceeding 100 mA of grid current. The final grid current should be around 50 mA and the plate current below 1000 mA.

ALC (Automatic Level Control)

The primary use of the ALC is to reduce the input drive power to a safe level for the AL-1500. The maximum drive of the AL-1500 will tolerate is approximately 100 watts. At this drive level the output of the AL-1500 may be in excess of 2000 watts when properly tuned. The ALC should be connected and adjusted after the amplifier is properly tuned on CW. Use a shielded audio-type cable with a standard male phono connector to connect the 0-20 volt negative ALC voltage to the exciter ALC input. Consult the exciter manual for proper connection details.

Setting the ALC ADJ Control

Proper adjustment of the rear panel ALC control can be achieved by the following steps:

1. Load the amplifier according to the tune-up instructions (with the ALC disconnected from the exciter) to the desired maximum power.
2. Connect the ALC line and rotate the ALC control fully clockwise looking at the rear of the unit.

3. Set the MULTIMETER switch to the PO position or observe an external PEP meter or oscilloscope.
4. Set the transmitter audio control about 20% higher than normal.
5. Speak in the microphone in a normal tone of voice and observe the reading on the 2000 RF Watts scale.
6. Adjust the ALC ADJ control on the rear panel until the amplifier output is no more than the desired maximum power obtained in step 1.

The exciter internal ALC will maintain linearity. The amplifier ALC will prevent over-power operation.

SSB Procedure

Tune the Exciter and Amplifier as described in "TUNE-UP CW PROCEDURE"

1. Place the SSB-CW switch in the SSB position.
2. Adjust the exciter gain control to permit voice peaks to reach the same value the peak output meter read on CW when fully loaded. The plate and grid currents should remain well below 50% of the CW values during normal modulation.

NOTE:

Some exciters will put out short duration high power RF pulses when first keyed. Exciter power output peaks may reach or exceed full output level even if the exciter's power control has been adjusted to deliver reduced power under "keydown" conditions. The amplifier loading control must be set high enough (clockwise) to prevent extremely high energy levels from developing in the plate and grid circuits of the amplifier. **DO NOT "UNDERLOAD" THE AMPLIFIER TO REDUCE POWER.** Never "retune" the amplifier to produce higher efficiency with reduced drive. Poor linearity, splatter or even damage to components may result from failure to follow these instructions. Repeated tripping of the grid current circuit usually indicates that the loading control is set too far counter-clockwise for the amount of drive being applied to the amplifier or that something in the antenna system is changing impedance (arcing) during peaks.

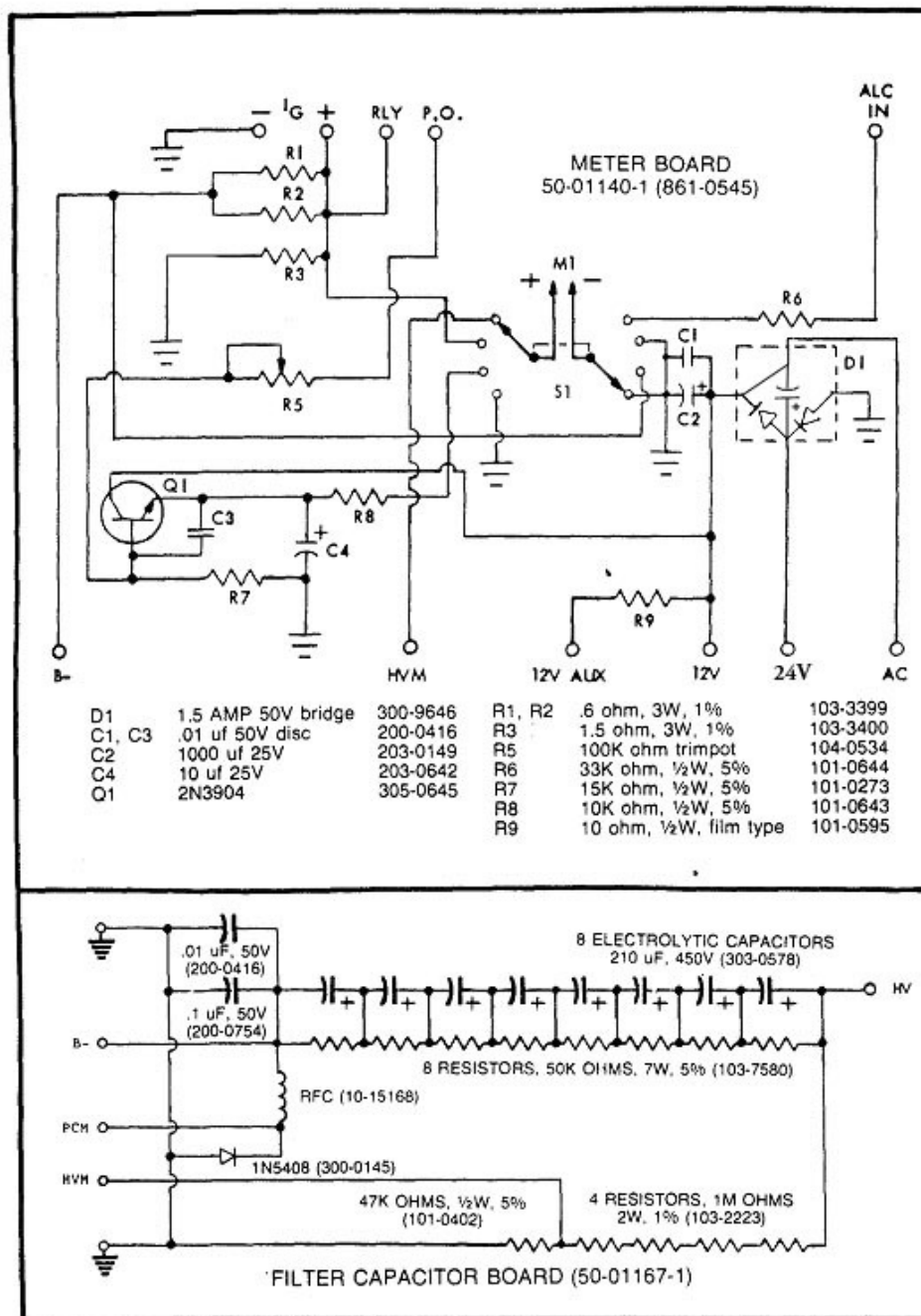
The AL-1500 will operate with full output on all WARC bands except 24.5 MHz. The AL-1500X (export model) will operate with full output on all WARC bands.

STANDARD FREQUENCY COVERAGE

	AL-1500		AL-1500X
160 meters	1.8 – 2.0 MHz	160 meters	1.8 – 2.0 MHz
80 meters	3.3 – 4.4 MHz	80 meters	3.3 – 4.4 MHz
40 meters	5.9 – 9.0 MHz	40 meters	5.9 – 9.0 MHz
20 meters	10.0 – 15.5 MHz*	20 meters	10.0 – 15.5 MHz*
15 meters	17.0 – 21.5 MHz	15 meters	17 – 21.5 MHz
		10 meters	24 - 29 MHz**
	*excluding 11.5 to 12.5 MHz		**excluding 26 to 28 MHz

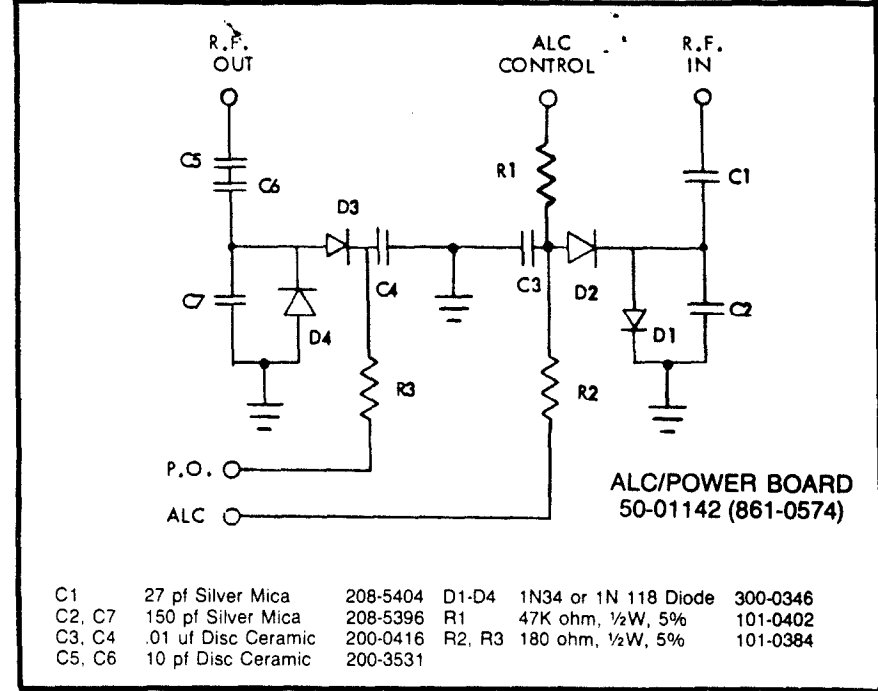
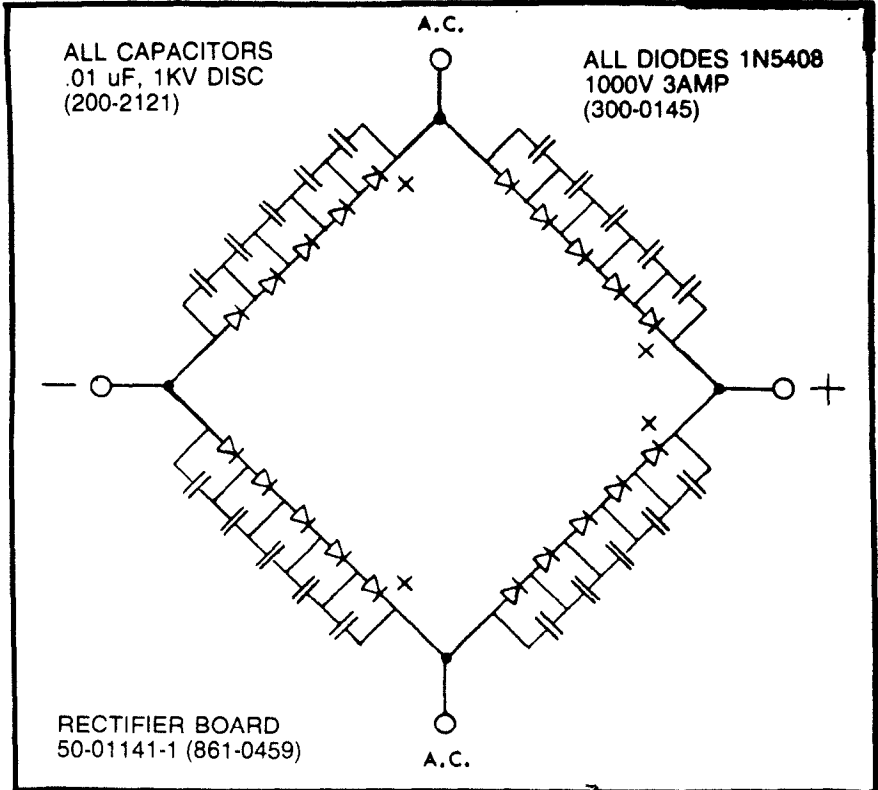
WARNING!!!

MAKE NO ATTEMPT TO PUT THIS AMPLIFIER IN SERVICE WITH THE COVER REMOVED! CONTACT WITH VOLTAGES INSIDE THIS AMPLIFIER CAN BE FATAL! ALWAYS DISCONNECT THE AMPLIFIER FROM THE POWER MAINS AND WAIT FOR THE FILTER CAPACITORS TO DISCHARGE BEFORE REMOVING THE COVER.



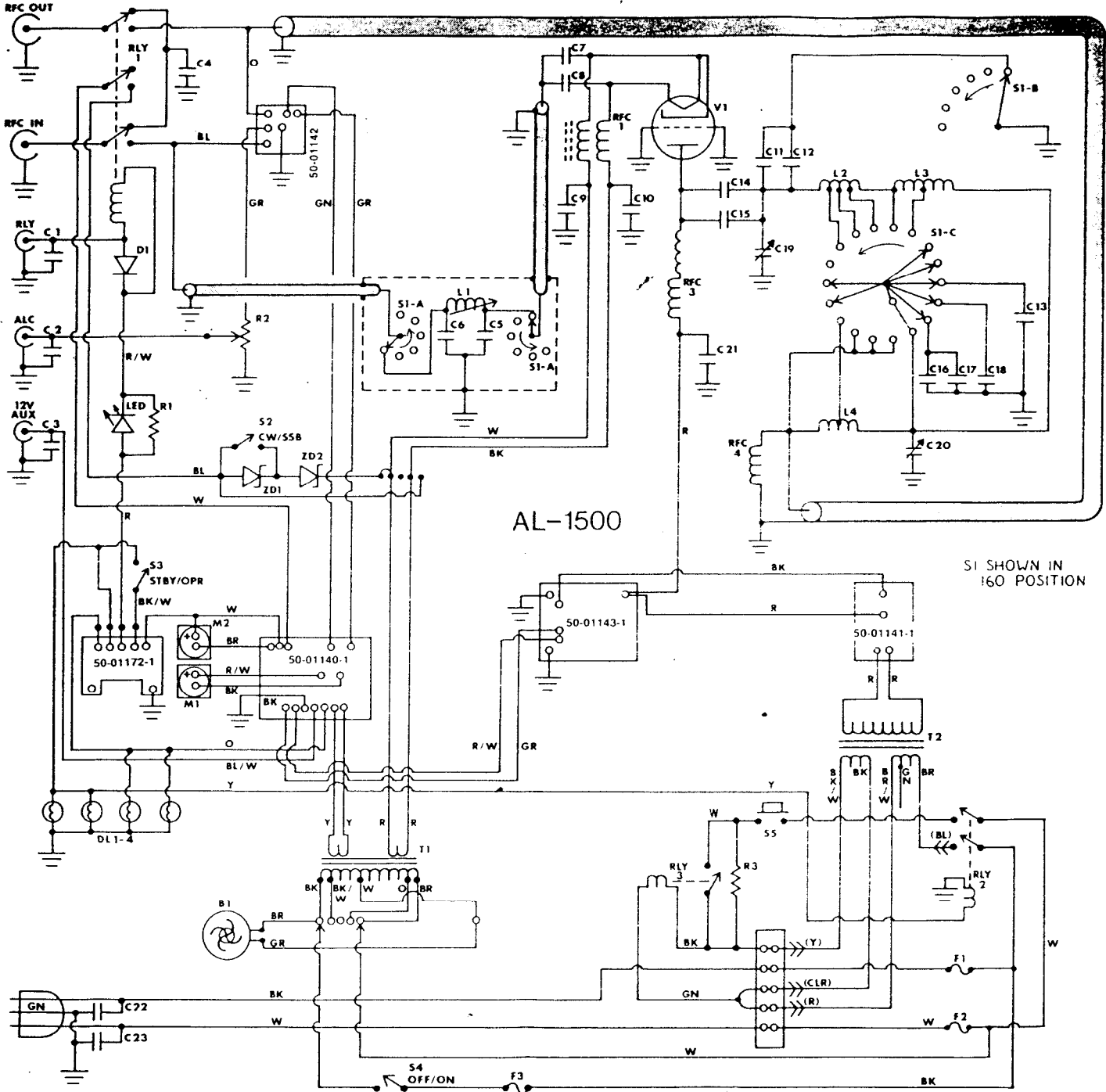
WARNING!!!

MAKE NO ATTEMPT TO PUT THIS AMPLIFIER IN SERVICE WITH THE COVER REMOVED! CONTACT WITH VOLTAGES INSIDE THIS AMPLIFIER CAN BE FATAL! ALWAYS DISCONNECT THE AMPLIFIER FROM THE POWER MAINS AND WAIT FOR THE FILTER CAPACITORS TO DISCHARGE BEFORE REMOVING THE COVER.

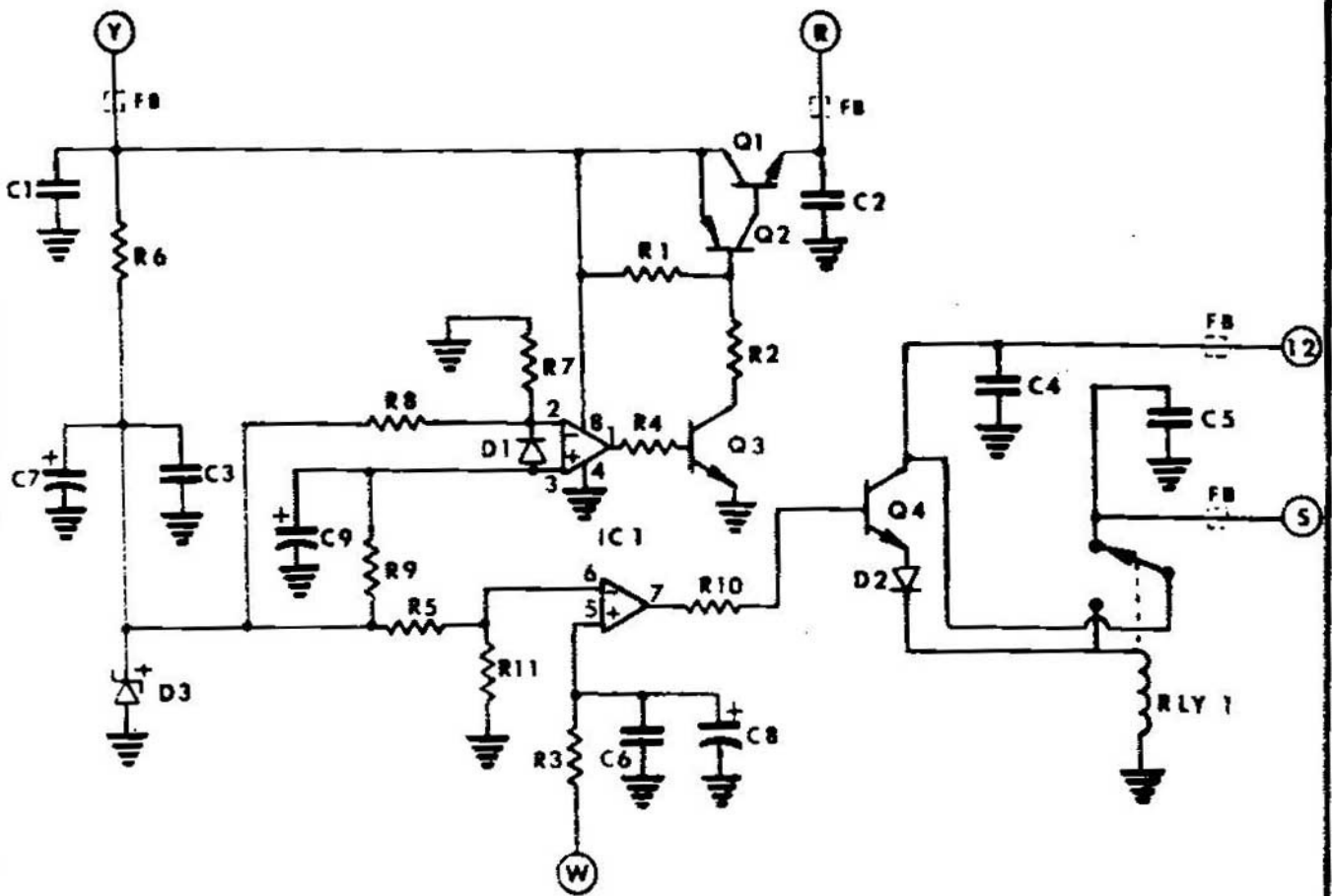


AL-1500 SCHEMATIC

Power supply shown wired for 240V operation



TIMER/OVERLOAD BOARD (50-01172)



- | | | | |
|-------|------------------------------------|-------|----------------------------------|
| C 1-6 | .01 uF 50V disc (200-0416) | Q 3,4 | NPN transistor 2N3904 (305-0645) |
| C 7,8 | .47 uF tantalum (203-0530) | R 1-3 | 10K ohm 1/2 watt (101-0643) |
| C 9 | 100 uF electrolytic (203-0564) | R 4,5 | 3.3K ohm 1/4 watt (100-0729) |
| D 1,2 | 1N4007 diode (300-0266) | R 6,8 | 680 ohm 1/4 watt (100-0532) |
| D 3 | 5.6V zener diode (301-0710) | R 7 | 1.8K ohm 1/4 watt (100-0728) |
| FB | Ferrite beads (10-15168) | R 9 | 1M ohm 1/4 watt (100-0730) |
| IC 1 | LM 358 dual op amp (311-0724) | R 10 | 1K ohm 1/4 watt (100-0727) |
| Q 1 | NPN transistor MJE 3055 (305-1723) | R 11 | 180 ohm 1/2 watt (101-0384) |
| Q 2 | PNP transistor 2N3906 (305-0722) | RLY 1 | Mini relay 12V DC (408-2135) |

AL-1500 INPUT CHART			
BAND	C5 (pF)	L1	C6 (pF)
160	1300 (208-5177)	28 T (10-13149)	2000 (208-5608)
80	1000 (208-5176)	18 ½ T (10-13191)	1300 (208-5177)
40	500 (208-5691)	11 ½ T (10-13190)	500 (208-5691)
20	220 (208-5175)	6 ½ T (10-13152)	180 (208-5605)
15	150 (208-5396)	3 ½ T (10-13171)	180 (208-5605)
10	150 (208-5396)	3 ½ T (10-13171)	150 (208-5396)

PARTS LIST

<u>Designation</u>	<u>Description</u>	<u>Ameritron P/N</u>
B1	Blower	410-3737
C1-3	.01 uF 50V disc	200-0416
C4	27 pF silver mica	208-5404
C5-6	See input chart	
C7-10	.01 uF 1KV disc	200-2121
C11-13	170 pF doorknob	209-0559
C14-18	500 pF doorknob	209-0412
C19	190 pF 4.5KV plate tuning	204-2570
C20	800 pF 1.2KV loading	204-2573-1
C21	.001 uF 7.5 KV disc	200-2122
C22-23	.01 uF 1.4KVDC disc	606-1185
D1	1N4005 diode	300-0266
DL1-4	12V meter lamp	420-0164
F1-2	15A 250V fuse	755-1431
F3	4A 250V fuse	755-1638
50-01140-1	Meter board assembly	
50-01141-1	HV rectifier board assembly	
50-01142	PO/ALC detector board assembly	
50-01143	HV filter cap. Board assembly	
50-01172-1	Timer/Overload board assembly	
L1	See input chart	
L2	High frequency coil	10-13147
L3	Low frequency coil #10 airdux	404-0600
L4	"L" coil #12 airdux	404-0601
M1	Multimeter 1 mA 300 ohm	400-2602
M2	Grid meter 1 mA 300 ohm	400-2603
PC1, 2	Parasitic choke & plate cap assembly	10-10157 (103-2180)
R1	33 ohm ¼ watt resistor	100-0403
R2	100K ohm ½ watt resistor	105-1341
R3	20 ohm 10 watt resistor	103-9701
RFC1	Filament choke	10-15115
RFC2	Plate choke	10-15139
RFC4	2.5 mH choke	402-1162
RLY2	SPDT 120V AC relay	408-4700
RLY3	2 PST 30A 12V DC relay	408-2588
S1	6KV@20A bandswitch	500-3557
S2-4	Rocker switch	503-1147
S5	Interlock switch	504-3247
T1	5.1V filament/control transformer	406-1419-3J
T2	HV plate transformer	406-1418-1D(AL-1500/X)
V1	3CX1500/8877 tube	350-0590
ZD1-2	7.5 10 watt zener diode	301-8597



116 Willow Road
Starkville, MS 39759 USA
662-323-8211

LIMITED WARRANTY

Ameritron warrants to the original purchaser that this product shall be free from defects in material (except tubes and RF output transistors) or workmanship for one year from the date of original purchase.

During the warranty period, Ameritron (or an authorized Ameritron service facility) will provide free of charge both parts (except tubes and RF output transistors) and labor necessary to correct defects in material or workmanship.

To obtain such warranty service, the original purchaser must:

- (1) Complete and send in the Warranty Registration Card.
- (2) Notify Ameritron or its nearest authorized service facility, as soon as possible after discovery of a possible defect, of:
 - (a) the model number and serial number, if any;
 - (b) the identity of the seller and the approximate date of purchase;
 - (c) a detailed description of the problem, including details on the equipment.
- (3) Deliver the product to the Ameritron or the nearest authorized service facility, or ship the same in its original container or equivalent, fully insured and with shipping charges prepaid.

Correct maintenance, repair, and use are important to obtain proper performance from this product. Therefore, carefully read the Instruction Manual. This warranty does not apply to any defect that Ameritron determines is due to:

- (1) Improper maintenance or repair, including the installation of parts or accessories that do not conform to the quality and specifications of the original parts.
- (2) Misuse, abuse, neglect or improper installation.
- (3) Accidental or intentional damage.

All implied warranties, if any, terminate one (1) year from the date of the original purchase.

The foregoing constitutes Ameritron's entire obligation with respect to this product, and the original purchaser and any user or owner shall have no remedy and no claim for incidental or consequential damages. Some states do not allow limitations on how long an implied warranty lasts or do not allow the exclusion or limitation of incidental or consequential damage, so the above limitation and exclusion may not apply to you.

This warranty gives specific legal rights and you may also have other rights which vary from state to state.

PLEASE RECORD THIS INFORMATION	
Model Number	
Serial Number	
Date of Purchase	
Purchased From	
Warranty Card Mailed On	