



INSTRUCTIONS

MOBILE MOUNTING BRACKET

MB-118

Thank you for purchasing the MB-118 MOBILE MOUNTING BRACKET. The MB-118 is designed to mount an Icom HF transceiver or receiver in place such as an under a table, on a wall or in a vehicle.

Please read these instructions thoroughly before mounting your equipment.

SUPPLIED ITEMS

Screw set A	Qty
Screws (A0 5 × 20)	4
Spring washers (M5)	4
Flat washers (M5).....	8
Bolts (M5 × 20)	4
Nuts (M5)	4

Screw set B	Qty
Bolts (M4 × 8)	4

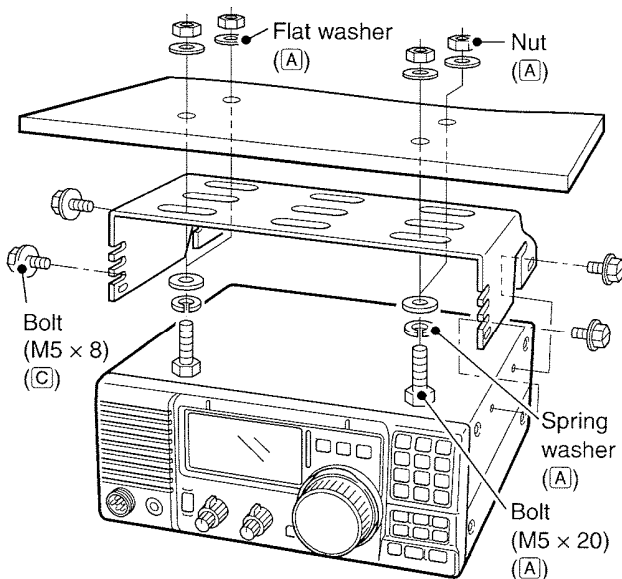
Screw set C	Qty
Bolts (M5 × 8)	4

MOUNTING

◇ Mounting IC-R75, IC-78 or IC-718

Mount the transceiver or a receiver securely with the four A0 5 × 20 screws or M5 × 20 bolts (packed in screw set **A**) to a thick surface which can support more than 3.80 kg (8.3 lb; transceiver) or more than 3.0 kg (6.6 lb; receiver).

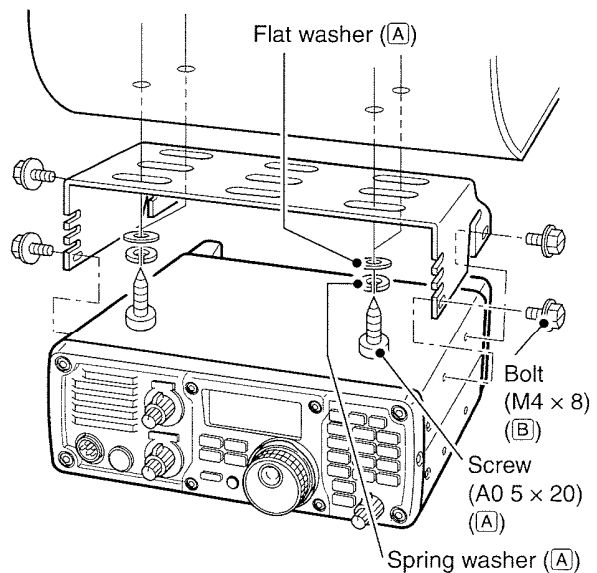
CAUTION: Use **ONLY** the M5 × 8 bolts packed in screw set **C** to mount the transceiver or receiver to the bracket. Using longer bolts may damage the equipment's case and internal units.



◇ Mounting IC-7200

Mount the transceiver securely with the four A0 5 × 20 screws or M5 × 20 bolts (packed in screw set **A**) to a thick surface which can support more than 5.5 kg (12.1 lb).

CAUTION: Use **ONLY** the M4 × 8 bolts packed in screw set **B** to mount the transceiver to the bracket. Using longer bolts may damage the transceiver's case and internal units.



- A** : Packed in screw set **A**
- B** : Packed in screw set **B**
- C** : Packed in screw set **C**

Icom, Icom Inc. and the Icom logo are registered trademarks of Icom Incorporated (Japan) in Japan, the United States, the United Kingdom, Germany, France, Spain, Russia and/or other countries.